

Energy-Saving Smart System for for Mini-Split A/C



USE

Aarón López
Cell. +52 322 135 6256
E-mail: alopezalopez@gmail.com

1. The wall-mounted control unit prevents the theft or loss of the remote.



2. Its presence sensor enables turning off the A/C automatically if there is no one in the room.



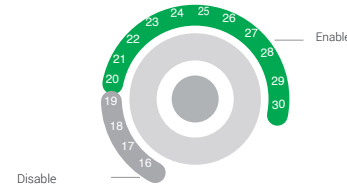
3. It turns off the A/C when doors or windows are opened to prevent cold air from escaping the room.



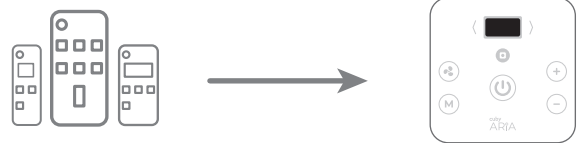
4. It prevents leaving the A/C on for more than a specific set time.



5. It allows limiting the A/C parameters to prevent users from setting extremely low temperatures.



6. It replaces the original remote control, for aesthetics and to be used as a universal control panel.



FUNCTIONS

1. It performs the following functions of the original remote control:

- Turn On/Off
- Set temperature (16 to 30)
- Switch Mode (Cooling, Heating, Fan, Dehumidifier, and Automatic)
- Set the fan speed (low, medium, high, and automatic)
- Turn On/Off the A/C Display (display on the indoor unit.)
- Swing (*deactivated and automatic*)

2. It allows setting a lower and upper temperature limit to prevent users from setting extremely low temperatures.

3. It is integrated with window and presence sensors to turn off the A/C when it stops detecting people in the room (after a configurable time) or when a door or window is opened (after a configurable time).

4. It allows to define a night mode (setting a range of hours) in which the control will work differently, enabling separate settings for the auto-off functions, either by using the timer or using the presence sensor.

This function is used to prevent the A/C unit from turning itself off when a person is sleeping in the room or setting a longer time before the A/C automatically turns off at night.

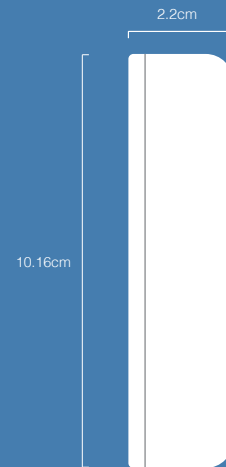
FUNCTIONS

5. Specific functions of the control unit can be disabled to make it easier to use, allowing only certain modes and speeds of the fan to be used and removing other non-useful options available in the remote control.

6. It shows the ambient temperature and relative humidity on the display.

7. Automatic On/Off setting at preset times.

8. It allows users to operate the A/C manually with a mobile app (via Bluetooth connection.)

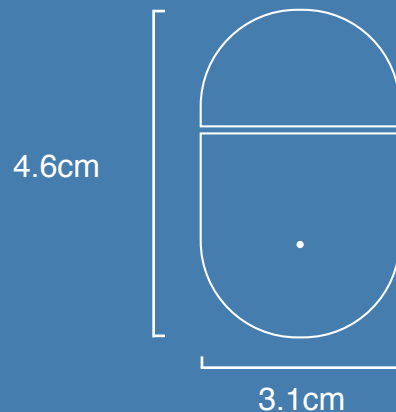
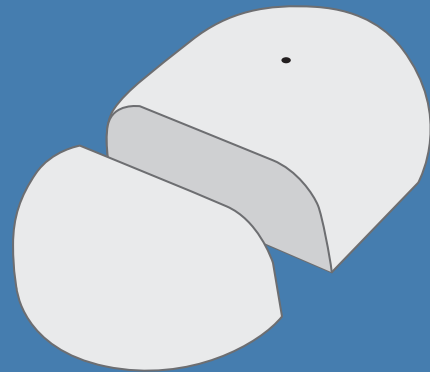


Especificaciones:

1. 10 cm x 10 cm x 2.2cm
2. Uses 4 AA batteries.
3. Battery life: 5 years.
4. White ABS plastic and white-and-gray tempered glass front panel.
5. White OLED screen
6. Bluetooth 5.0 connectivity
7. Temperature sensor:
0.1C° resolution, ± 0.2°C accuracy
8. Humidity sensor:
1% RH resolution, 2% RH accuracy
10. 8-input capacitive touch panel below tempered glass.

DOOR AND WINDOW SENSOR

It is installed on the frame of a door or window and detects when it's open, transmitting the event wirelessly to the wall-mounted control unit so it can turn off the A/C, according to its settings.

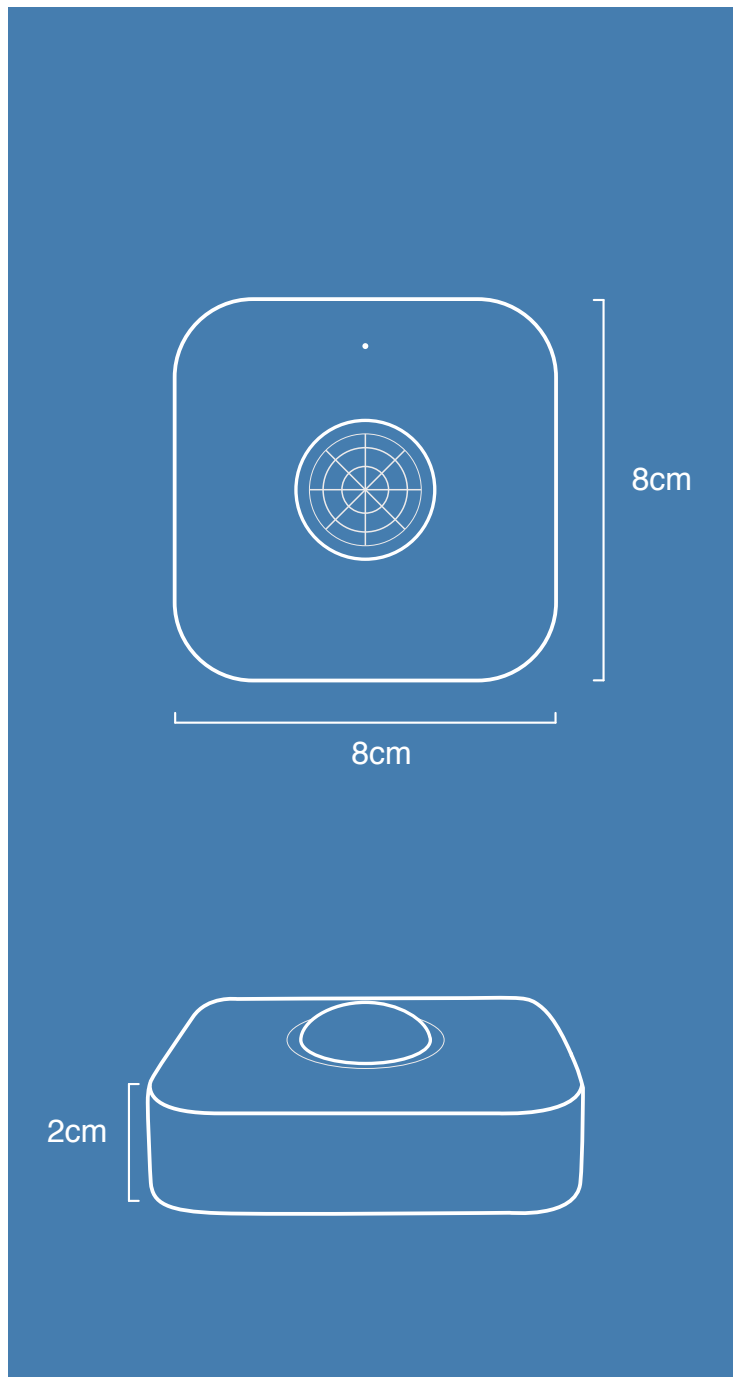


Especificaciones:

- 1.-Dimensions:** 4.6cm x 3.1cm x 1.2cm
- 2.-Material:** White ABS plastic
- 3.- Wireless Technology:**Bluetooth V5
- 4.-Battery:** 1x CR2450
- 5.- Battery Life:** 5 years
- 6.-Type of sensor:** Magnetic
- 7.-Mounting:**Double-sided tape

PRESENCE SENSOR

It is installed on the ceiling and detects people in the room, even while they are sleep. It transmits this information wirelessly to the wall-mounted control unit, which can automatically turn off the A/C when it detects no people in the room (configurable setting).



Especificaciones:

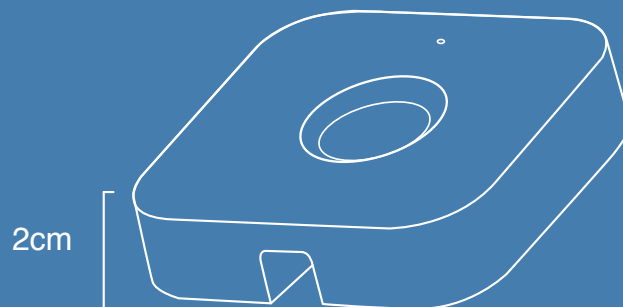
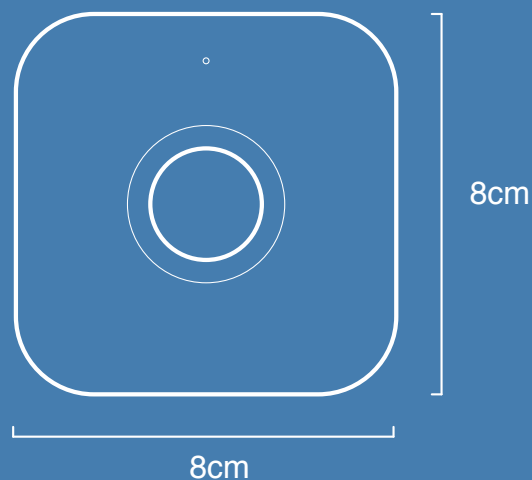
- 1.-Dimensions:** 8 cm x 8cm x 2 cm
- 2.-Material:** White ABS plastic
- 3.- Wireless Technology** Bluetooth V5
- 4.- Battery Life:** 10 years
- 5.- Assembly:** 1 screw
- 6.-Battery:** 2x Integrated AA Lithium Battery
- 7.- Detection Area:** 7x7m. at a height of 2.5m.
- 8.-Detection Method:** Human heat (PIR sensor)

CUBY G4

Aarón López
Cell. +52 322 135 6256
E-mail: alopezalopez@gmail.com

Cuby G4 is our latest innovation, resulting from 3 generations of smart control units for mini-split A/C since 2013. It works with any brand and model of mini-split air conditioning units.

It is also compatible with portable A/C units, Fan & Coil, VRF, Cassette, etc., as long as they work with infrared remote control.



Especificaciones:

- 1.-Dimensions:** 8 cm x 8cm x 1.8 cm
- 2.-Material:** White ABS plastic
- 3.-IR range:** 3 to 10 meters.
- 4.-Power supply:** 5v @1A
- 5.- Average Power:** 0.18W
- 6.-WiFi:** b/g/n
- 7.-Temperature Sensor:** $\pm 0.5^{\circ}\text{C}$
- 8.-Humidity Sensor:** $\pm 3\%$
- 9.-Connectivity:** WiFi + Bluetooth 5.0

	Frequency Range (MHZ)	Power per range
WiFi	2412.0 - 2462.0	0.063W
Bluetooth 5.0	2402.0 - 2480.0	0.001W

* RELEASING PRICES

Cuby 4G



* \$72.00 usd

Presence Sensor



* \$95.00 usd

Aria Control



* \$138.00 usd

Window/Door Sensor



* \$72.00 usd

** *Installation Cost: \$500mxn*

MORE INFO:

Aarón López
Cell. +52 322 135 6256
E-mail: alopezalopez@gmail.com